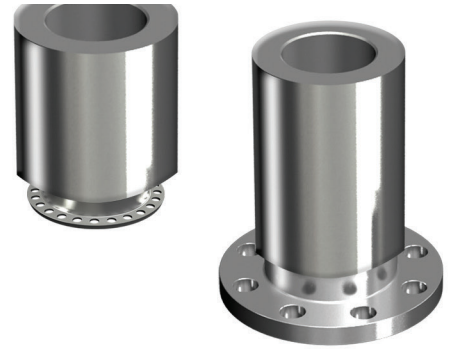


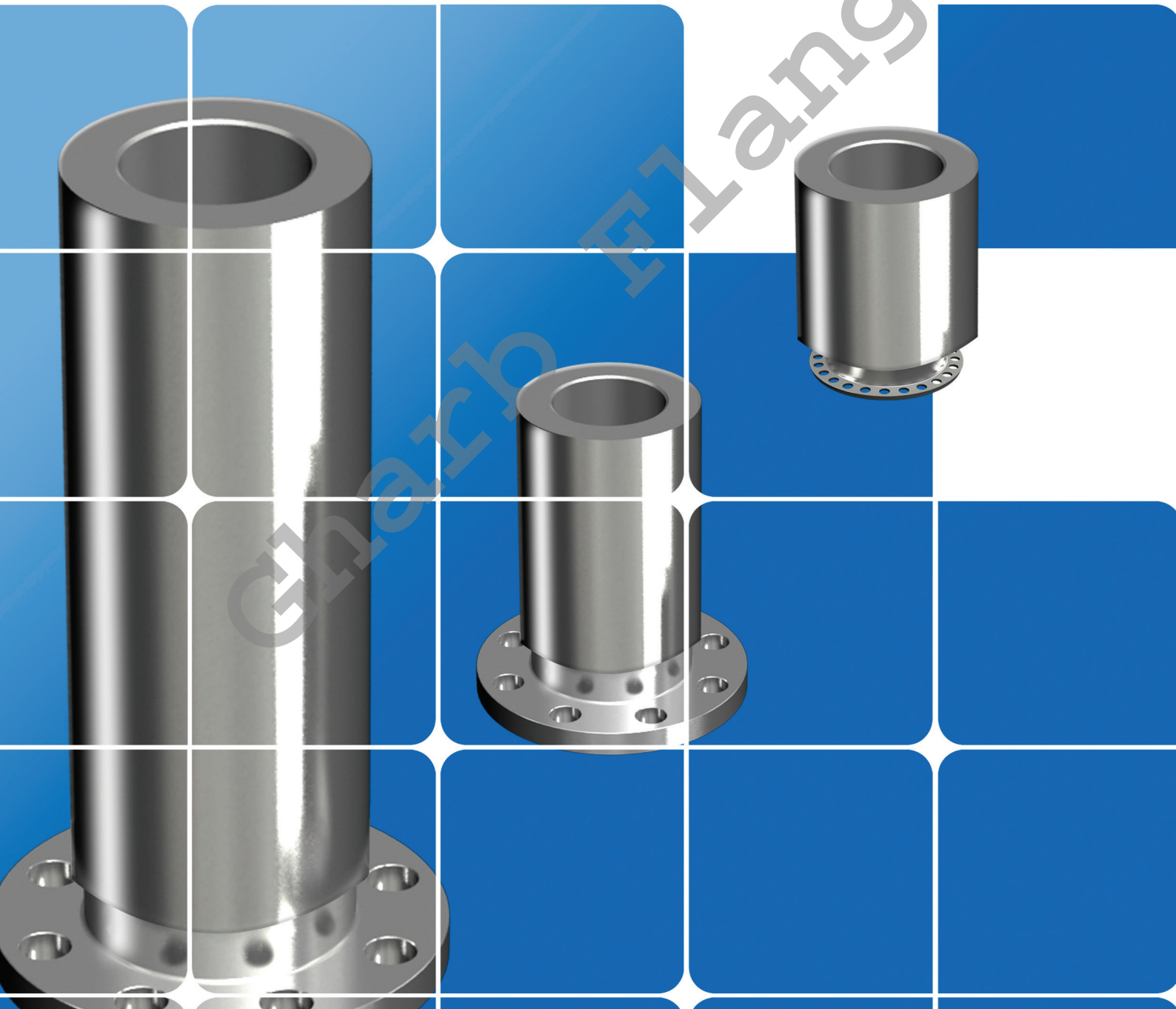


**GharbFlange**  
Since 1979

# HEAVY BARRELS

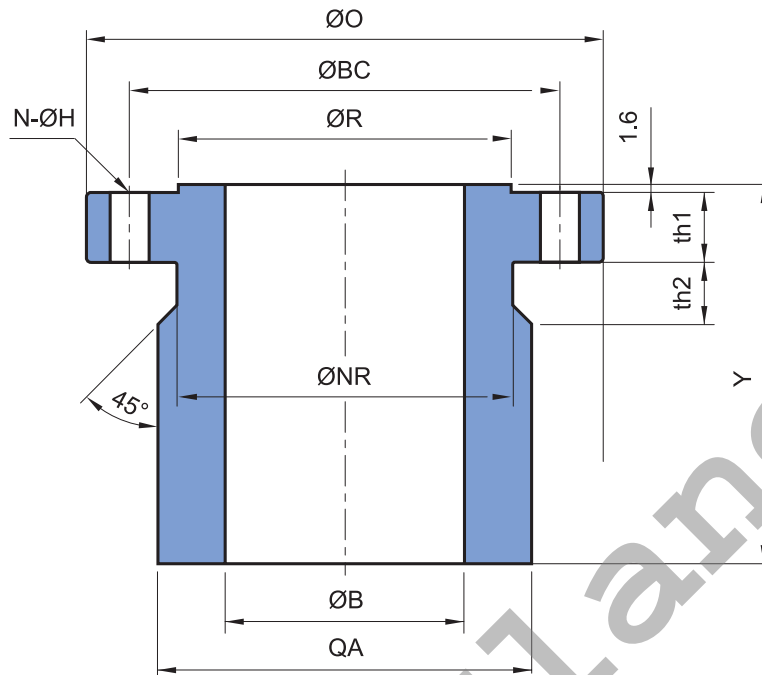


- Class 150
- Class 300
- Class 400
- Class 600
- Class 900
- Class 1500
- Class 2500





## CLASS 150



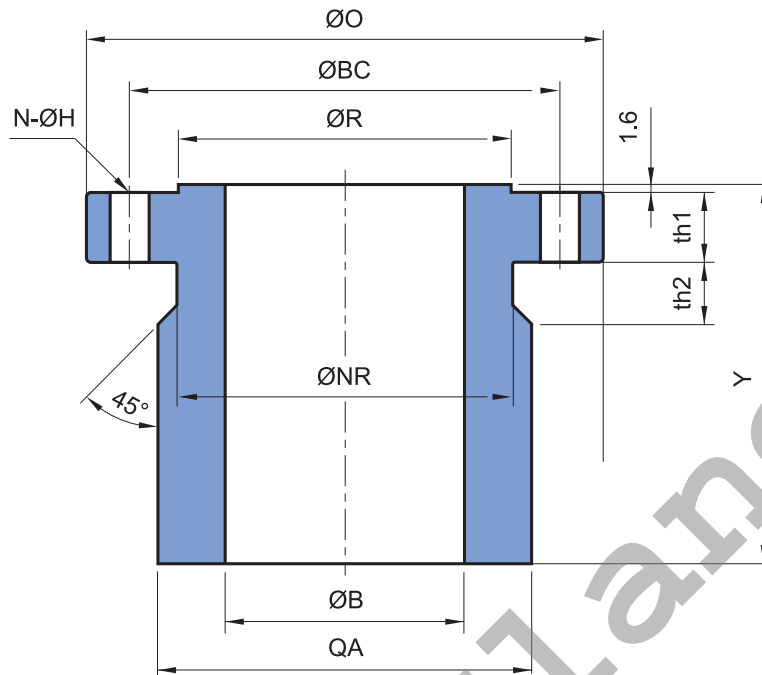
NOTE: Y= CUSTOMER OPTION

UNIT : mm

SIZE	ØO	ØBC	ØR	ØB	ØA	ØNR	th1	th2	N	ØH
½	88.9	60.5	35.1	14.0	38.1	31.8	9.6	19.1	4	15.7
¾	98.6	69.9	42.9	18.8	47.8	41.1	11.1	19.1	4	15.7
1	108.0	79.2	50.8	24.4	57.2	50.8	12.6	19.1	4	15.7
1¼	117.3	88.9	63.5	32.5	66.5	60.5	14.1	19.1	4	15.7
1½	127.0	98.6	73.2	38.1	76.2	66.5	15.9	19.1	4	15.7
2	152.4	120.7	91.9	49.3	93.7	77.7	17.5	22.4	4	19.1
2½	177.8	139.7	104.6	58.9	112.8	95.3	20.8	22.4	4	19.1
3	190.5	152.4	127.0	73.7	125.5	108.0	22.3	22.4	4	19.1
3½	215.9	177.8	139.7	85.3	150.9	124.0	22.3	22.4	8	19.1
4	228.6	190.5	157.2	97.3	163.6	139.7	22.3	22.4	8	19.1
5	254.0	215.9	185.7	122.2	184.2	165.1	22.3	25.4	8	22.4
6	279.4	241.3	215.9	146.3	209.6	196.9	23.8	25.4	8	22.4
8	342.9	298.5	269.7	193.5	266.7	247.7	26.8	25.4	8	22.4
10	406.4	362.0	323.9	242.8	325.4	304.8	28.6	28.4	12	25.4
12	482.6	431.8	381.0	289.1	395.2	365.3	30.2	28.4	12	25.4
14	533.4	476.3	412.8	355.6	434.8	406.4	33.5	31.8	12	28.4
16	596.9	539.8	469.9	406.4	498.3	457.2	35.0	31.8	16	28.4
18	635.0	577.9	533.4	457.2	531.9	508.0	38.0	35.1	16	31.8
20	698.5	635.0	584.2	508.0	589.0	558.8	41.3	35.1	20	31.8
24	812.8	749.3	692.2	609.6	698.5	666.8	46.2	38.1	20	35.1



## CLASS 300



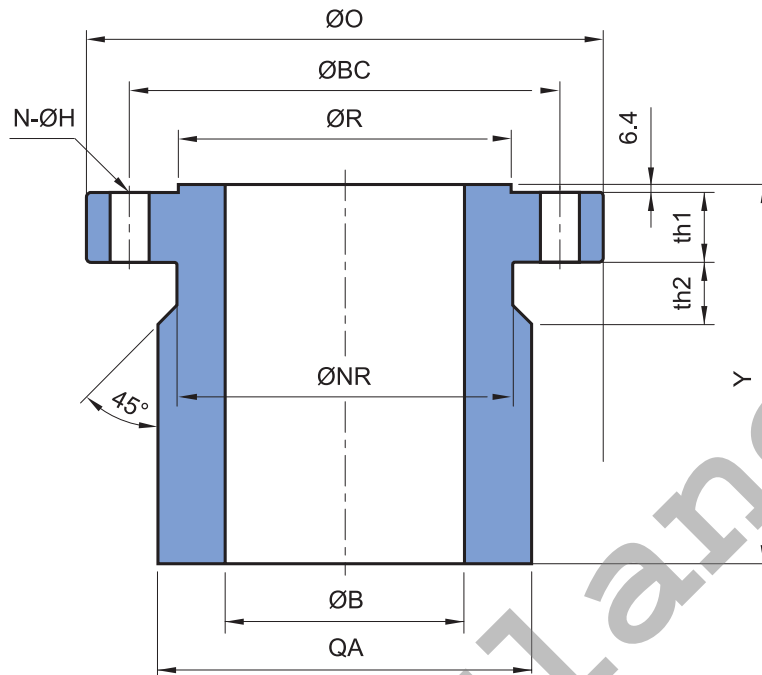
NOTE: Y= CUSTOMER OPTION

UNIT : mm

SIZE	ØO	ØBC	ØR	ØB	ØA	ØNR	th1	th2	N	ØH
½	95.3	66.5	35.1	14.0	44.5	38.1	12.6	19.1	4	15.7
¾	117.3	82.6	42.9	18.8	55.6	47.8	14.1	22.4	4	19.1
1	124.0	88.9	50.8	24.4	62.0	53.8	15.9	22.4	4	19.1
1¼	133.4	98.6	63.5	32.5	71.4	63.5	17.5	22.4	4	19.1
1½	155.4	114.3	73.2	38.1	82.6	69.9	19.0	25.4	4	22.4
2	165.1	127.0	91.9	49.3	100.1	84.1	20.8	22.4	8	19.1
2½	190.5	149.4	104.6	58.9	117.3	100.1	23.8	25.4	8	22.4
3	209.6	168.1	127.0	73.7	136.7	117.3	26.8	25.4	8	22.4
3½	228.6	184.2	139.7	85.3	152.4	133.4	28.6	25.4	8	22.4
4	254.0	200.2	157.2	97.3	168.1	146.1	30.2	25.4	8	22.4
5	279.4	235.0	185.7	122.2	203.2	177.8	33.5	25.4	8	22.4
6	317.5	269.7	215.9	146.3	238.3	206.2	35.0	25.4	12	22.4
8	381.0	330.2	269.7	193.5	293.6	260.4	39.5	28.4	12	25.4
10	444.5	387.4	323.9	242.8	345.9	320.5	46.2	31.8	16	28.4
12	520.7	450.9	381.0	289.1	404.9	374.7	49.2	35.1	16	31.8
14	584.2	514.4	412.8	355.6	468.4	425.5	52.2	35.1	20	31.8
16	647.7	571.5	469.9	406.4	520.7	482.6	55.6	38.1	20	35.1
18	711.2	628.7	533.4	457.2	577.9	533.4	58.9	38.1	24	35.1
20	774.7	685.8	584.2	508.0	635.0	587.2	61.9	38.1	24	35.1
24	914.4	812.8	692.2	609.6	752.3	701.5	68.3	44.5	24	41.1



## CLASS 400



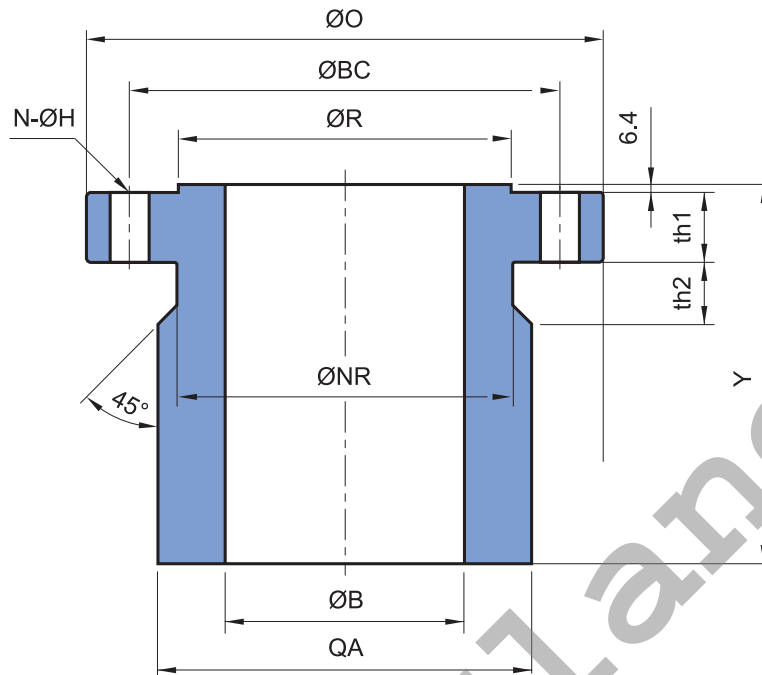
NOTE: Y= CUSTOMER OPTION

UNIT : mm

SIZE	ØO	ØBC	ØR	ØB	ØA	ØNR	th1	th2	N	ØH
½	95.3	66.5	35.1	14.0	44.5	38.1	14.2	19.1	4	15.7
¾	117.3	82.6	42.9	18.8	55.6	47.8	15.7	22.4	4	19.1
1	124.0	88.9	50.8	24.4	62.0	53.8	17.5	22.4	4	19.1
1¼	133.4	98.6	63.5	32.5	71.4	63.5	20.6	22.4	4	19.1
1½	155.4	114.3	73.2	38.1	82.6	69.9	22.4	25.4	4	22.4
2	165.1	127.0	91.9	49.3	100.1	84.1	25.4	22.4	8	19.1
2½	190.5	149.4	104.6	58.9	117.3	100.1	28.4	25.4	8	22.4
3	209.6	168.1	127.0	73.7	136.7	117.3	31.8	25.4	8	22.4
3½	228.6	184.2	139.7	85.3	147.6	133.4	35.1	28.4	8	25.4
4	254.0	200.2	157.2	97.3	163.6	146.1	35.1	28.4	8	25.4
5	279.4	235.0	185.7	122.2	198.4	177.8	38.1	28.4	8	25.4
6	317.5	269.7	215.9	146.3	233.4	206.2	41.1	28.4	12	25.4
8	381.0	330.2	269.7	193.5	289.1	260.4	47.8	31.8	12	28.4
10	444.5	387.4	323.9	242.8	341.4	320.5	53.8	35.1	16	31.8
12	520.7	450.9	381.0	289.1	400.1	374.7	57.2	38.1	16	35.1
14	584.2	514.4	412.8	355.6	463.6	425.5	60.5	38.1	20	35.1
16	647.7	571.5	469.9	406.4	515.9	482.6	63.5	41.1	20	38.1
18	711.2	628.7	533.4	457.2	573.0	533.4	66.5	41.1	24	38.1
20	774.7	685.8	584.2	508.0	625.6	587.2	69.9	44.5	24	41.1
24	914.4	812.8	692.2	609.6	743.0	701.5	76.2	50.8	24	47.8



## CLASS 600



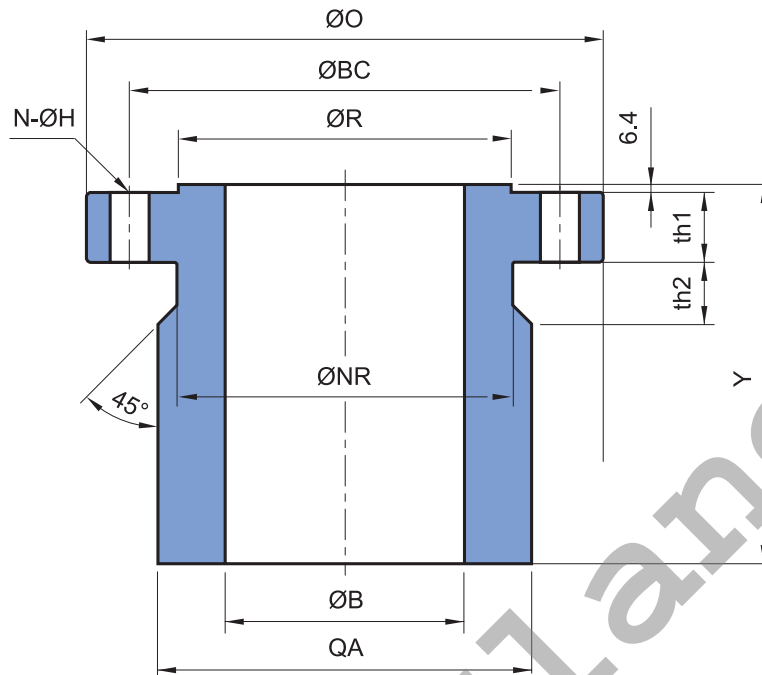
NOTE: Y= CUSTOMER OPTION

UNIT : mm

SIZE	ØO	ØBC	ØR	ØB	ØA	ØNR	th1	th2	N	ØH
½	95.3	66.5	35.1	14.0	44.5	38.1	14.2	19.1	4	15.7
¾	117.3	82.6	42.9	18.8	55.6	47.8	15.7	22.4	4	19.1
1	124.0	88.9	50.8	24.4	62.0	53.8	17.5	22.4	4	19.1
1¼	133.4	98.6	63.5	32.5	71.4	63.5	20.6	22.4	4	19.1
1½	155.4	114.3	73.2	38.1	82.6	69.9	22.4	25.4	4	22.4
2	165.1	127.0	91.9	49.3	100.1	84.1	25.4	22.4	8	19.1
2½	190.5	149.4	104.6	58.9	117.3	100.1	28.4	25.4	8	22.4
3	209.6	168.1	127.0	73.7	136.7	117.3	31.8	25.4	8	22.4
3½	228.6	184.2	139.7	85.3	147.6	133.4	35.1	28.4	8	25.4
4	273.1	215.9	157.2	97.3	179.3	152.4	38.1	28.7	8	25.4
5	330.2	266.7	185.7	122.2	225.6	190.5	44.5	31.8	8	28.4
6	355.6	292.1	215.9	146.3	251.0	222.3	47.8	31.8	12	28.4
8	419.1	349.3	269.7	193.5	303.3	273.1	55.6	35.1	12	31.8
10	508.0	431.8	323.9	242.8	381.0	342.9	63.5	38.1	16	35.1
12	558.8	489.0	381.0	289.1	438.2	400.1	66.5	38.1	20	35.1
14	603.3	527.1	412.8	355.6	471.4	431.8	69.9	41.1	20	38.1
16	685.8	603.3	469.9	406.4	543.1	495.3	76.2	44.5	20	41.1
18	743.0	654.1	533.4	457.2	589.0	546.1	82.6	47.8	20	44.5
20	812.8	723.9	584.2	508.0	658.9	609.6	88.9	47.8	24	44.5
24	939.8	838.2	692.2	609.6	763.5	717.6	101.6	53.8	24	50.8



## CLASS 900



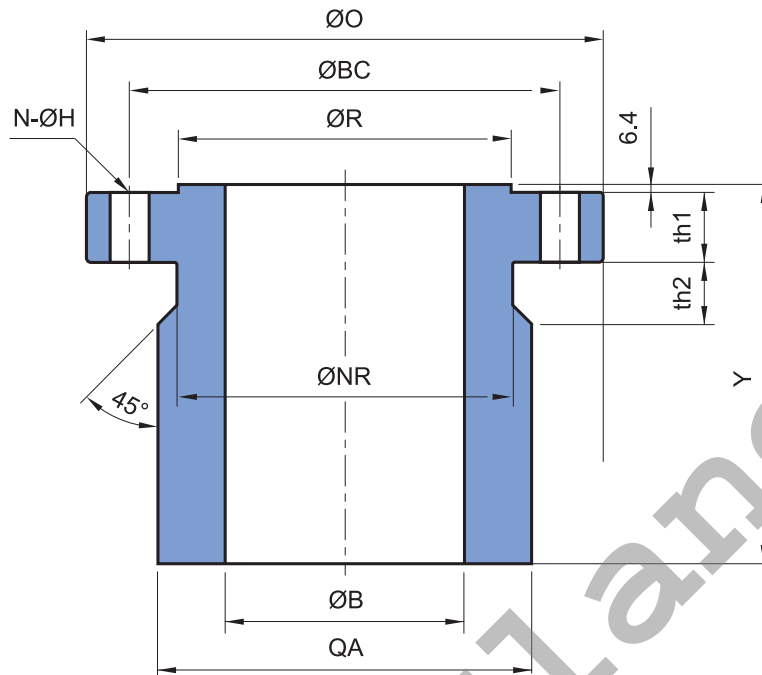
NOTE: Y= CUSTOMER OPTION

UNIT : mm

SIZE	ØO	ØBC	ØR	ØB	ØA	ØNR	th1	th2	N	ØH
½	120.7	82.6	35.1	14.0	50.8	39.6	22.4	25.4	4	22.4
¾	130.0	88.9	42.9	18.8	57.2	46.0	25.4	25.4	4	22.4
1	149.4	101.6	50.8	24.4	65.0	53.8	28.4	28.4	4	25.4
1¼	158.8	111.3	63.5	32.5	74.7	63.5	28.4	28.4	4	25.4
1½	177.8	124.0	73.2	38.1	82.6	69.9	31.8	31.8	4	28.4
2	215.9	165.1	91.9	49.3	128.5	104.6	38.1	28.4	8	25.4
2½	244.3	190.5	104.6	58.9	149.4	124.0	41.1	31.8	8	28.4
3	241.3	190.5	127.0	73.7	153.9	127.0	38.1	28.4	8	25.4
4	292.1	235.0	157.2	97.3	189.0	158.8	44.5	35.1	8	31.8
5	349.3	279.4	185.7	122.2	228.6	190.5	50.8	38.1	8	35.1
6	381.0	317.5	215.9	146.3	271.5	235.0	55.6	35.1	12	31.8
8	469.9	393.7	269.7	193.8	338.1	298.5	63.5	41.1	12	38.1
10	546.1	469.9	323.9	242.8	414.3	368.3	69.9	41.1	16	38.1
12	609.6	533.4	381.0	289.1	477.8	419.1	79.2	41.1	20	38.1
14	641.4	558.8	412.8	355.6	498.3	450.9	85.9	44.5	20	41.1
16	704.9	616.0	469.9	406.4	550.9	508.0	88.9	47.8	20	44.5
18	787.4	685.8	533.4	457.2	611.1	565.2	101.6	53.8	20	50.8
20	857.3	749.3	584.2	508.0	670.1	622.3	108.0	57.2	20	53.8
24	1041.4	901.7	692.2	609.6	803.1	749.3	139.7	69.9	20	66.5



## CLASS I 500

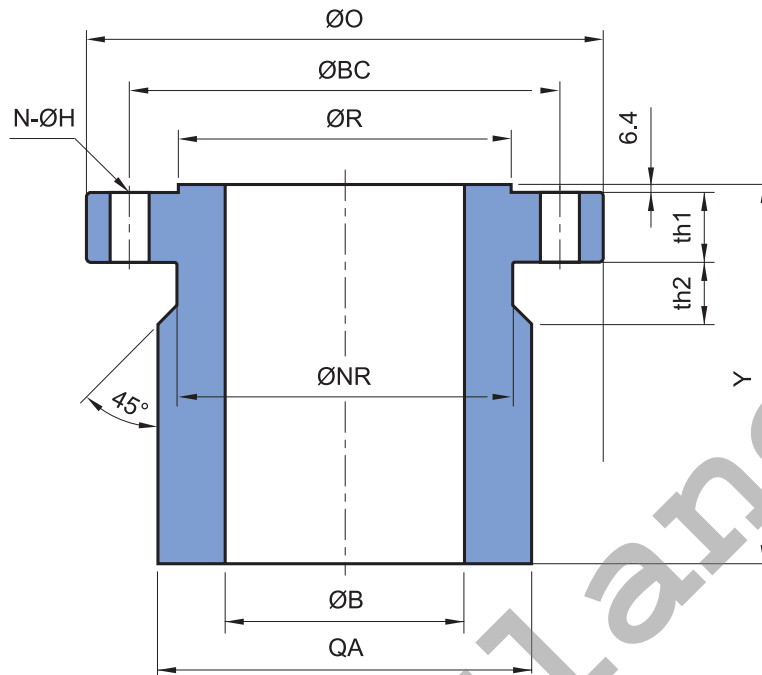


UNIT : mm

SIZE	ØO	ØBC	ØR	ØB	ØA	ØNR	th1	th2	N	ØH
½	133.4	88.9	35.1	14.0	57.2	46.0	30.2	25.4	4	22.4
¾	139.7	95.3	42.9	18.8	63.5	52.3	31.8	25.4	4	22.4
1	158.8	108.0	50.8	24.4	71.4	57.2	35.1	28.4	4	25.4
1¼	184.2	130.0	63.5	32.5	88.9	73.2	38.1	31.8	4	28.4
1½	203.2	146.1	73.2	38.1	100.1	79.2	44.5	35.1	4	31.8
2	235.0	171.5	91.9	49.3	130.0	95.3	50.8	31.8	8	28.4
2½	266.7	196.9	104.6	58.9	150.9	114.3	57.2	35.1	8	31.8
3	304.8	228.6	127.0	73.7	177.8	133.4	66.5	38.1	8	35.1
4	355.6	273.1	157.2	97.3	212.9	165.1	76.2	44.5	8	41.1
5	419.1	323.9	185.7	122.2	254.0	203.2	91.9	50.8	8	47.8
6	482.6	368.3	215.9	146.3	289.1	235.0	108.0	57.2	8	53.8
8	552.5	438.2	269.7	193.8	358.6	304.8	127.0	57.2	12	53.8
10	673.1	539.8	323.9	242.8	441.5	374.7	165.1	69.9	12	66.5
12	762.0	619.3	381.0	289.1	511.0	441.5	184.2	76.2	12	73.2



## CLASS 2500



UNIT : mm

SIZE	ØO	ØBC	ØR	ØB	ØA	ØNR	th1	th2	N	ØH
½	88.9	60.5	35.1	14.0	38.1	31.8	9.6	19.1	4	15.7
¾	98.6	69.9	42.9	18.8	47.8	41.1	11.1	19.1	4	15.7
1	108.0	79.2	50.8	24.4	57.2	50.8	12.6	19.1	4	15.7
1¼	117.3	88.9	63.5	32.5	66.5	60.5	14.1	19.1	4	15.7
1½	127.0	98.6	73.2	38.1	76.2	66.5	15.9	19.1	4	15.7
2	152.4	120.7	91.9	49.3	93.7	77.7	17.5	22.4	4	19.1
2½	177.8	139.7	104.6	58.9	112.8	95.3	20.8	22.4	4	19.1
3	190.5	152.4	127.0	73.7	125.5	108.0	22.3	22.4	4	19.1
3½	215.9	177.8	139.7	85.3	150.9	124.0	22.3	22.4	8	19.1
4	228.6	190.5	157.2	97.3	163.6	139.7	22.3	22.4	8	19.1
5	254.0	215.9	185.7	122.2	184.2	165.1	22.3	25.4	8	22.4
6	279.4	241.3	215.9	146.3	209.6	196.9	23.8	25.4	8	22.4
8	342.9	298.5	269.7	193.5	266.7	247.7	26.8	25.4	8	22.4
10	406.4	362.0	323.9	242.8	325.4	304.8	28.6	28.4	12	25.4
12	482.6	431.8	381.0	289.1	395.2	365.3	30.2	28.4	12	25.4
14	533.4	476.3	412.8	355.6	434.8	406.4	33.5	31.8	12	28.4
16	596.9	539.8	469.9	406.4	498.3	457.2	35.0	31.8	16	28.4
18	635.0	577.9	533.4	457.2	531.9	508.0	38.0	35.1	16	31.8
20	698.5	635.0	584.2	508.0	589.0	558.8	41.3	35.1	20	31.8
24	812.8	749.3	692.2	609.6	698.5	666.8	46.2	38.1	20	35.1